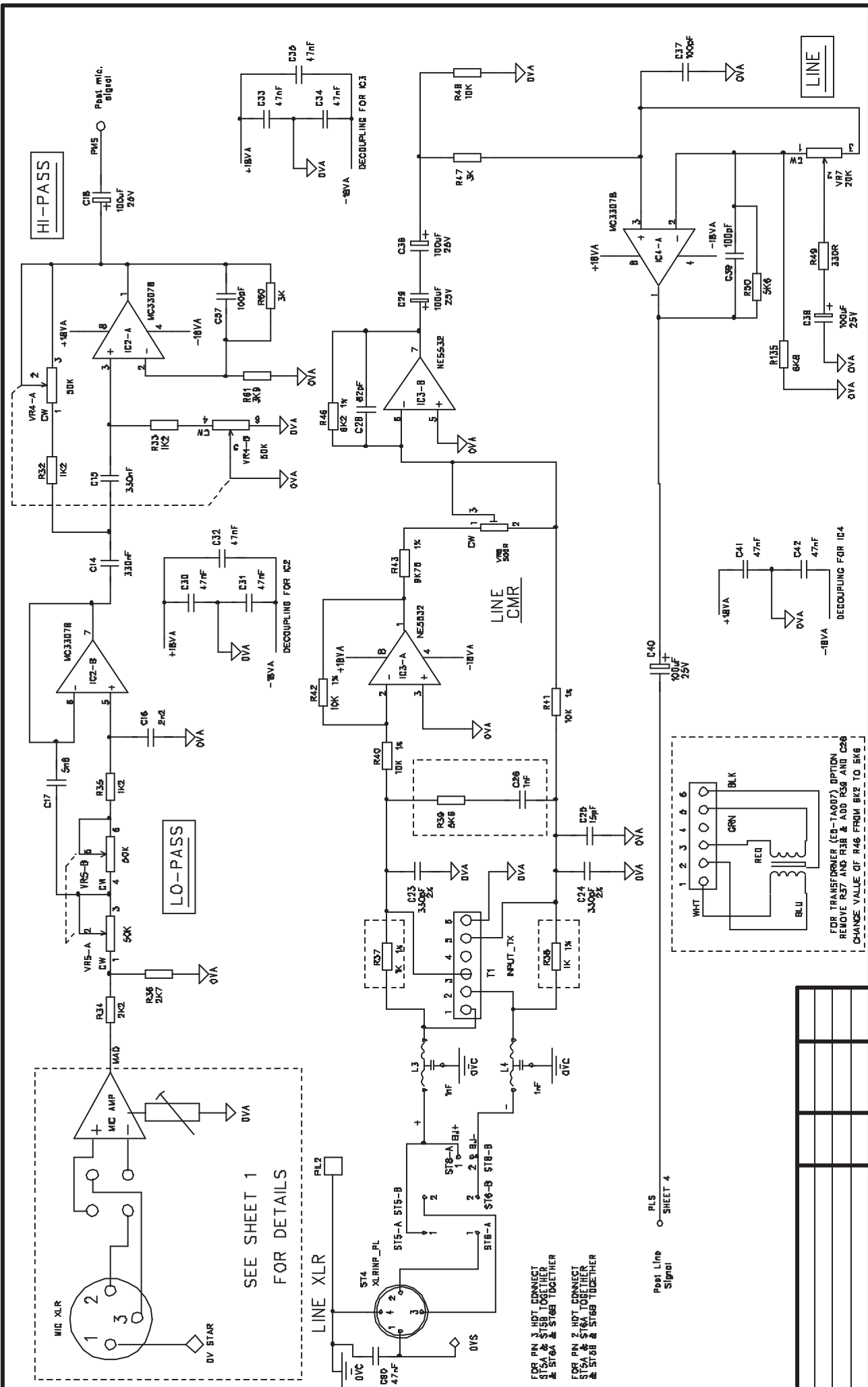


UNIT: XL402		MIDAS AUDIO	
TITLE: INPUT POD		DATE: DEC 95	
DRAWN: JRC.		SHEET: 1 OF 5	
CHECKED:		DRG No. XL402.SCH	
BOARD No. B2767 BOARD iss. 2		SHEET iss. 5	
PHASE PIN 1 TO A 2V7 ZENER DIODE	ISS.	DATE.	
5	27/8/95		
6	27/8/95		
AMMENDMENTS			

FOR PIN 3 HOT CONNECT
 ST2A & ST2B TOGETHER
 & ST3A & ST3B TOGETHER

FOR PIN 2 HOT CONNECT
 ST2A & ST3A TOGETHER
 & ST2B & ST3B TOGETHER



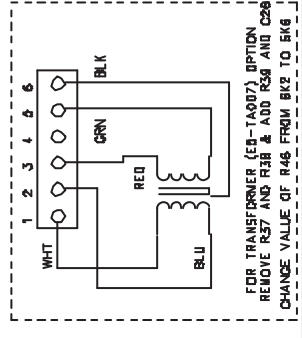
MIDAS AUDIO	
UNIT: XL402	DATE: DEC 95
TITLE: INPUT POD	SHEET: 2 OF 5
BOARD No. B2767 BOARD iss. 2	CHECKED: DRG No. XL402.SCH
AMENDMENTS	ISS, INT, DATE.

SEE SHEET 1
FOR DETAILS

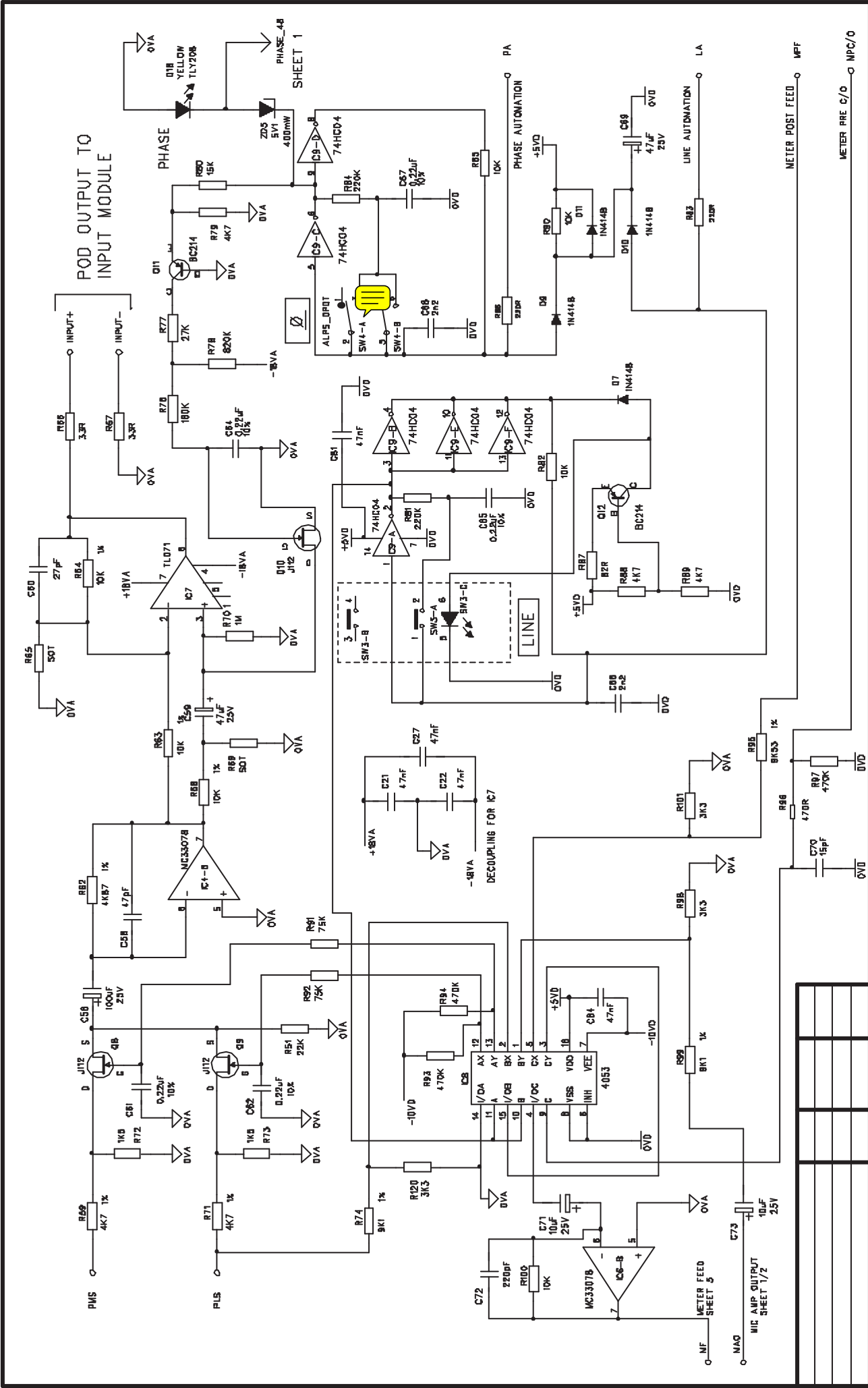
FOR PIN 3 JPT. CONNECT
S15-A & S15-B TOGETHER
FOR S15-A & S15-B TOGETHER

FOR PIN 2 JPT. BRACKET
S15-A & S15-B TOGETHER
FOR S15-A & S15-B TOGETHER

PLS
SHEET 4

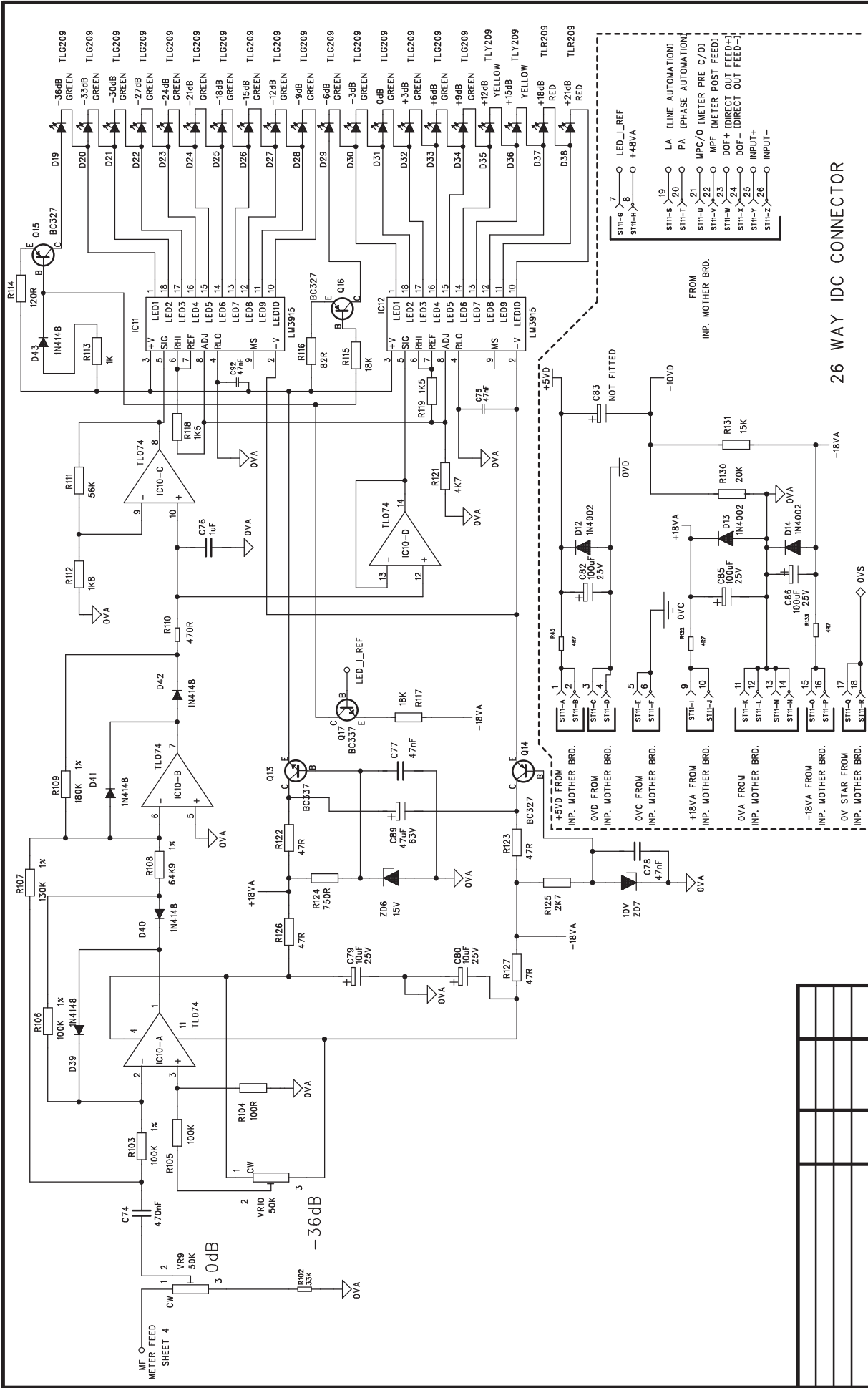


LINE



UNIT: XL402		MIDAS AUDIO	
TITLE: INPUT POD		DRAWN: JRC.	
BOARD No. B2767		DATE: DEC 95	
BOARD iss. 2		SHEET: 4 OF 5	
CHECKED:		SHEET iss. 5	
AMMENDMENTS		DRG No. XL402.SCH	

CHANGE C65 & C66 FROM 1000pF TO 2n2	4	JRC.	4-12-85
CHANGE R63 & R66 FROM 100R TO 220R	4	JRC.	4-12-85
AMMENDMENTS	ISS.	INT.	DATE.



MIDAS AUDIO

UNIT: XL402	DATE: DEC 95	SHEET: 5 OF 5
TITLE: INPUT POD	DRAWN: JRC.	SHEET iss. 5
BOARD No. B2767	BOARD iss. 2	DRG No. XL402.SCH

CHANGE	ISS.	INIT.	DATE.
CHANGE R102 from 58K to 33K	5	JRC	AUG 96
CHANGE VALUE OF C83 FROM 100uf TO NOT FITTED	3	JRC	OCT 95
CHANGE D38 & D35 TO D1-A1207 (LEDY207)			
CHANGE R91 & R92 TO 470K 5%			
AMMENDMENTS			